
Comfort-Cure®

Century®

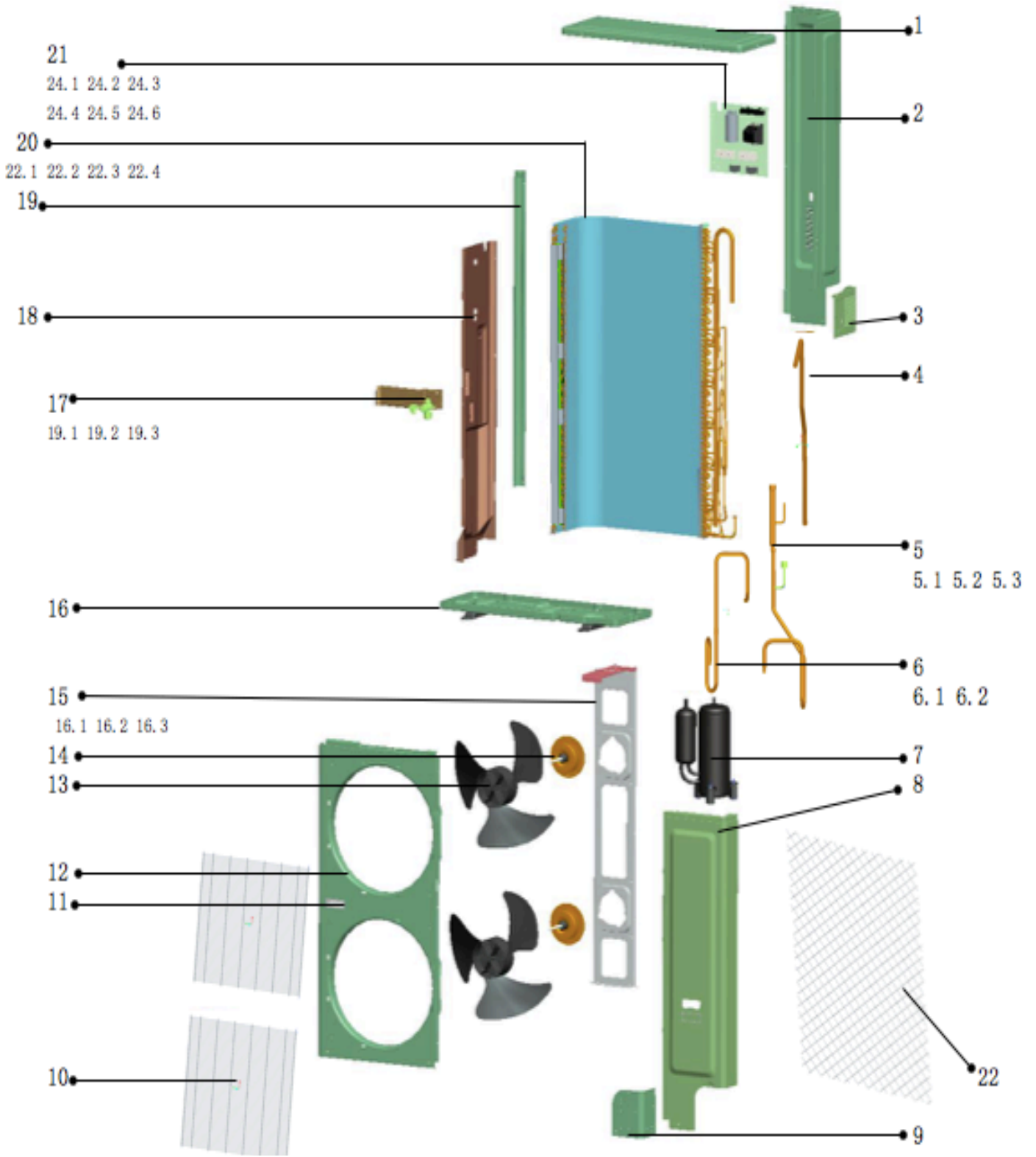
MARS®
Delivering Confidence

PARTS LIST

Horizontal/Side Discharge Condensing Units

CMA36SD-1

EXPLODED VIEW



REPLACEMENT PARTS

Location	Part Name	Part No.
1	Cover	801233600068
2	Rear clapboard	801233600063
3	Rear clapboard for valve	801233600066
4	High-pressure valve joint tube	801628890089
5	Discharge pipe assy	801628890085
5.1	Discharge pipe1	801628890087
5.2	Discharge pipe2	801634490005
5.3	pressure swithch	802300900162
6	Suction pipe assy	801628890086
6.1	Suction pipe 1	801633490093
6.2	Suction pipe	801628890088
7	Compressor	801401100051
8	Right clapboard	801233600175
9	Right clapboard for valve	801233600065
10	Top net	802933600003
11	Handle	801119900037
12	Front panel	801233600062
13	Propeller fan	801133600003
14	Asynchronous motor	802400400505
15	Holder for fan motor	801229690020
15.1	Holder for fan motor	801233600188
15.2	Joint board for fan motor support	801233600151
15.3	Fix and inhance rail	801233600124
16	Chassis welding parts	801234290001
17.1	Valve holder	801233600076
17.2	Cut-off valve DN8	801633600130
17.3	Cut-off valve DN16	801619900126
18	Separating board	801229200079
19	Column	801233600067
20	Condenser assy	801528890021
20.1	Condenser	801528890026
20.2	Condenser	801528890023
20.3	Joint board	801233490061
20.4	Condensor collecting pipe assy	801633490071
20.5	Cunrrent divider assy for condenser	801633490067
21	E-parts components	803328890024
21.1	Instalation board for E-parts	801233690002
21.2	AC contactor	802300100251
21.3	Fan motor capacitor	802401100002
21.4	compressor capacitor	802401000058
21.5	gas discharge temperature sensor	802301000009
21.6	Terminal	802401800085
22	Plastic rear net	801133600002
23	Refrigerant R410a	800500100004
Not Shown	Compressor capacitor	802401000058
Not Shown	Fan motor capacitor	802401100002

Due to ongoing product improvements, specifications and dimensions are subject to change and correction without notice or incurring obligations. Determining the application and suitability for use of any product is the responsibility of the installer. Additionally, the installer is responsible for verifying dimensional data on the actual product prior to beginning any installation preparations.

Incentive and rebate programs have precise requirements as to product performance and certification. All products meet applicable regulations in effect on date of manufacture; however, certifications are not necessarily granted for the life of a product. Therefore, it is the responsibility of the applicant to determine whether a specific model qualifies for these incentive/rebate programs.

Comfort-Aire®

1900 Wellworth Ave., Jackson, MI 49203 • Ph. 517-787-2100 • www.marsdelivers.com

