

SPECIFICATIONS

Configurations

- Upflow / Horizontal

Heat Exchanger Design

- 409 stainless steel primary heat exchanger with crimped non-welded construction
- AL 29-4c stainless steel secondary heat exchanger

Cabinet Design

- Compact 33" height
- Standardized widths for easy coil fit

Air Delivery System

- ECM variable speed blower motor
- Easily removable slide-out blower design

Controls

- Modulating gas valve
- Works with the conventional 24V T-Stat
- Self diagnostics saves last 10 fault codes regardless of power interruption

Venting

- Category 4 direct vent appliance (2 pipe only)

Installation Features

- Left or right utility connections
- Zero step horizontal conversion
- Removable floor base for bottom return air

MODULATING VARIABLE SPEED GAS FURNACE

97%



California Only

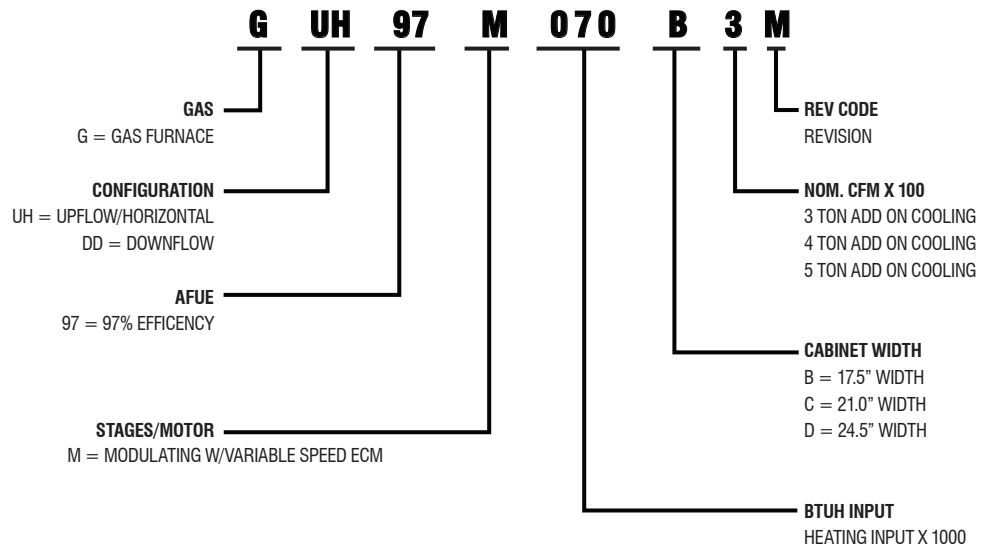
This furnace does not meet the South Coast Air Quality Management District (SCAQMD) Rule 1111 and San Joaquin Valley Air Pollution Control District (SJVAPCD) Rule 4905 NOx emission limit (14 ng/J) and cannot be installed within the SCAQMD or SJVAPCD and Bay Area.



Warranty—20 years on heat exchanger, 6 years on parts
(Some limitations apply; see printed warranty for details.)

www.century-hvac.com

MODEL NUMBER GUIDE



PHYSICAL AND ELECTRICAL DATA

	Model	Input (Btuh)	Output * (Btuh)	AFUE (IGS)	Nominal* Cooling Capacity	Gas Inlet (in.)	Volts-Hertz-Phase	Max. Time Delay Breaker or Fuse	Nominal F.L.A.	Trans. (V.A.)	Approx. Shipping Weight (lbs.)
UPFLOW / HORIZONTAL	GUH97M070B3M	66,000	64,000	97.0%	3 Tons	1/2	120-60-1	15	7.7	40	138
	GUH97M090C3M	88,000	85,000	97.0%	3 Tons	1/2	120-60-1	15	7.7	40	155
	GUH97M090C4M	88,000	85,000	97.0%	4 Tons	1/2	120-60-1	15	10.1	40	165
	GUH97M090C5M	88,000	85,000	97.0%	5 Tons	1/2	120-60-1	20	12.8	40	165
	GUH97M110C5M	110,000	106,000	97.0%	5 Tons	1/2	120-60-1	20	12.8	40	175
	GUH97M135D5M	132,000	127,000	97.0%	5 Tons	1/2	120-60-1	20	12.8	40	190

Note: For vent length and clearances to combustibles, please reference installation instructions.

* At full capacity



BLOWER PERFORMANCE DATA: BOTTOM INLET

Model	Motor Size (hp)	Blower Size	Temp Rise F°	Heating CFM @ 0" - 0.5" w.c.			Cooling Stages	Speed Adjust-ment	Cooling CFM @ 0" - 0.8" w.c.					
				**	40% Input	70% Input			100% Input	Low	Medium Low	Medium High	High Default	
GUH97M070B3M	1/2 HP	10 x 9	50 - 80 Max. Input	+15%	538	833	1128	2nd Stage	+10%	862	1063	1218	1369	
				+7.5%	496	772	1048		Default	810	962	1130	1269	
				Default	453	710	967		-10%	707	841	1007	1140	
			35 - 65 Min. Input	+10%	604	740	843	971	1st Stage	+10%	604	740	843	971
				Default	558	668	770	855		Default	558	668	770	855
				-15%	385	604	822	-10%		504	603	683	793	
GUH97M090C3M	1/2 HP	10 x 9	60 - 90 Max. Input	+15%	734	1014	1295	2nd Stage	+10%	879	1040	1212	1362	
				+7.5%	697	953	1209		Default	803	946	1104	1246	
				Default	660	891	1122		-10%	721	842	972	1117	
			35 - 65 Min. Input	+10%	626	710	832	952	1st Stage	+10%	626	710	832	952
				Default	569	672	764	862		Default	569	672	764	862
				-15%	572	766	959	-10%		524	612	687	785	
GUH97M090C4M	3/4 HP	11 x 11	50 - 80 Max. Input	+15%	835	1234	1633	2nd Stage	+10%	1168	1379	1583	1771	
				+7.5%	776	1155	1534		Default	1079	1267	1444	1645	
				Default	716	1075	1434		-10%	938	1148	1324	1469	
			35 - 65 Min. Input	+10%	843	1007	1159	1315	1st Stage	+10%	843	1007	1159	1315
				Default	780	915	1047	1190		Default	780	915	1047	1190
				-15%	589	919	1249	-10%		693	838	959	1070	
GUH97M090C5M	1 HP	11 x 11	50 - 80 Max. Input	+15%	665	1159	1653	2nd Stage	+10%	1385	1593	1818	2019	
				+7.5%	618	1085	1553		Default	1226	1463	1647	1884	
				Default	571	1012	1453		-10%	1063	1320	1504	1675	
			35 - 65 Min. Input	+10%	933	1054	1274	1466	1st Stage	+10%	933	1054	1274	1466
				Default	836	978	1121	1336		Default	836	978	1121	1336
				-15%	443	823	1203	-10%		740	868	1010	1152	
GUH97M110C5M	1 HP	11 x 11	50 - 80 Max. Input	+15%	861	1424	1988	2nd Stage	+10%	1312	1560	1744	1955	
				+7.5%	825	1349	1874		Default	1219	1405	1569	1796	
				Default	789	1274	1759		-10%	1075	1272	1428	1634	
			35 - 65 Min. Input	+10%	937	1064	1247	1407	1st Stage	+10%	937	1064	1247	1407
				Default	864	972	1146	1282		Default	864	972	1146	1282
				-15%	673	1101	1528	-10%		790	888	1025	1167	
GUH97M135D5M	1 HP	11 x 11	55 - 85 Max. Input	+15%	1033	1534	2035	2nd Stage	+10%	1353	1567	1751	1994	
				+7.5%	957	1426	1895		Default	1202	1448	1616	1828	
				Default	881	1317	1754		-10%	1080	1290	1472	1668	
			35 - 65 Min. Input	+10%	935	1074	1260	1450	1st Stage	+10%	935	1074	1260	1450
				Default	834	983	1116	1306		Default	834	983	1116	1306
				-15%	753	1152	1550	-10%		732	867	1023	1145	

Note:

** See installation instructions for proper blower set up

BLOWER PERFORMANCE DATA: SIDE INLET

	Model	Motor Size (hp)	Blower Size	Temp Rise F°	Heating CFM @ 0" - 0.5" w.c.			Cooling Stages	Speed Adjustment	Cooling CFM @ 0" - 0.8" w.c.					
					**	40% Input	70% Input			100% Input	Low	Medium Low	Medium High	High Default	
UPFLOW / HORIZONTAL	GUH97M070B3M	1/2 HP	10 x 9	50 - 80 Max. Input	+15%	531	812	1093	2nd Stage	+10%	840	1054	1208	1357	
					+7.5%	490	756	1022		Default	752	946	1130	1231	
					Default	449	700	951		-10%	688	805	991	1114	
				35 - 65 Min. Input	+10%	593	706	805	959	1st Stage	Default	543	642	729	824
					-7.5%	413	635	857	-10%		503	584	665	720	
					-15%	378	571	763							
	GUH97M090C3M	1/2 HP	10 x 9	60 - 90 Max. Input	+15%	702	971	1240	2nd Stage	+10%	843	1017	1168	1300	
					+7.5%	673	926	1178		Default	772	912	1054	1193	
					Default	644	880	1116		-10%	698	799	946	1111	
				35 - 65 Min. Input	+10%	610	707	797	921	1st Stage	Default	561	643	718	811
					-7.5%	608	814	1020	-10%		526	605	667	729	
					-15%	571	747	923							
	GUH97M090C4M	3/4 HP	11 x 11	50 - 80 Max. Input	+15%	812	1204	1595	2nd Stage	+10%	1140	1341	1526	1728	
					+7.5%	759	1127	1495		Default	1043	1235	1398	1566	
					Default	706	1051	1395		-10%	913	1124	1279	1402	
				35 - 65 Min. Input	+10%	823	1009	1135	1292	1st Stage	Default	758	882	1026	1151
					-7.5%	608	814	1020	-10%		684	816	928	1068	
					-15%	571	747	923							
	GUH97M090C5M	1 HP	11 x 11	50 - 80 Max. Input	+15%	684	1136	1588	2nd Stage	+10%	1335	1559	1719	1986	
					+7.5%	623	1059	1496		Default	1173	1433	1568	1811	
					Default	562	983	1403		-10%	1049	1283	1451	1603	
				35 - 65 Min. Input	+10%	911	1043	1227	1434	1st Stage	Default	805	960	1087	1296
					-7.5%	608	814	1020	-10%		700	840	991	1115	
					-15%	571	747	923							
GUH97M110C5M	1 HP	11 x 11	50 - 80 Max. Input	+15%	733	1194	1747	2nd Stage	+10%	1270	1519	1712	1899		
				+7.5%	708	1139	1657		Default	1170	1363	1555	1774		
				Default	683	1085	1566		-10%	1059	1218	1401	1581		
			35 - 65 Min. Input	+10%	918	1053	1198	1366	1st Stage	Default	820	964	1095	1231	
				-7.5%	632	1007	1457	-10%		722	852	987	1116		
				-15%	580	929	1348								
GUH97M135D5M	1 HP	11 x 11	55 - 85 Max. Input	+15%	1010	1505	2001	2nd Stage	+10%	1337	1550	1720	1974		
				+7.5%	923	1398	1873		Default	1194	1416	1608	1781		
				Default	836	1290	1744		-10%	1076	1282	1437	1628		
			35 - 65 Min. Input	+10%	938	1070	1236	1418	1st Stage	Default	837	985	1114	1296	
				-7.5%	775	1208	1641	-10%		736	870	1010	1139		
				-15%	715	1126	1537								

BLOWER PERFORMANCE DATA: SIDE INLET WITH RETURN AIR BASE

	Model	Motor Size (hp)	Blower Size	Temp Rise F°	Heating CFM @ 0" - 0.5" w.c.			Cooling Stages	Speed Adjustment	Cooling CFM @ 0" - 0.8" w.c.					
					**	40% Input	70% Input			100% Input	Low	Medium Low	Medium High	High Default	
UPFLOW / HORIZONTAL	GUH97M070B3M	1/2 HP	10 x 9	50 - 80 Max. Input	+15%	519	805	1091	2nd Stage	+10%	857	1049	1206	1354	
					+7.5%	480	751	1021		Default	791	946	1093	1255	
					Default	441	696	951		-10%	722	845	987	1131	
				35 - 65 Min. Input	+10%	596	717	816	950	1st Stage	Default	521	657	755	840
					-7.5%	408	643	877	-10%		494	597	672	747	
					-15%	375	589	803							
	GUH97M090C3M	1/2 HP	10 x 9	60 - 90 Max. Input	+15%	721	988	1254	2nd Stage	+10%	852	999	1166	1305	
					+7.5%	679	923	1167		Default	776	907	1050	1206	
					Default	637	858	1079		-10%	712	802	947	1074	
				35 - 65 Min. Input	+10%	605	715	812	934	1st Stage	Default	571	662	735	820
					-7.5%	606	806	1006	-10%		530	602	673	725	
					-15%	576	754	933							

Note:

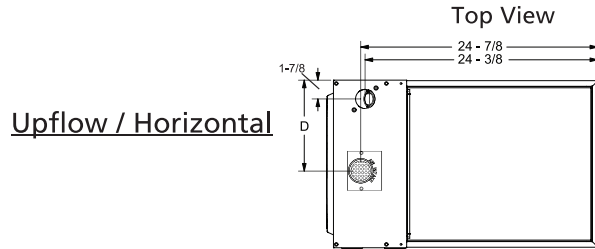
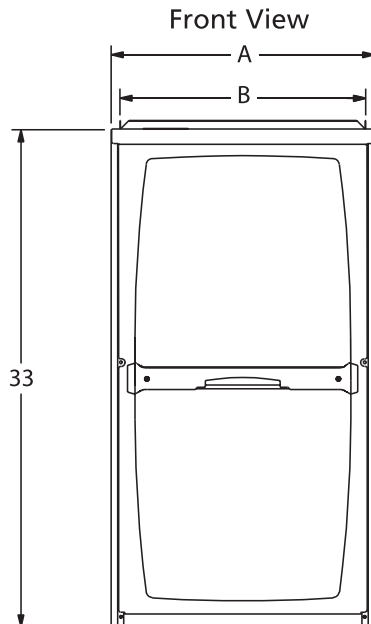
** See installation instructions for proper blower set up

BLOWER PERFORMANCE DATA: SIDE INLET WITH RETURN AIR BASE

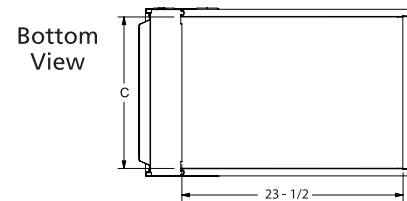
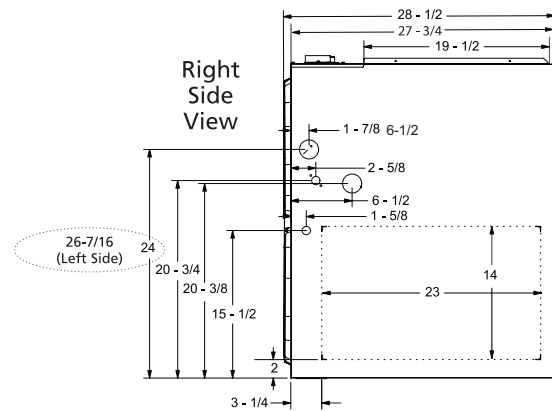
Model	Motor Size (hp)	Blower Size	Temp Rise F°	Heating CFM @ 0" - 0.5" w.c.			Cooling Stages	Speed Adjustment	Cooling CFM @ 0" - 0.8" w.c.				
				**	40% Input	70% Input			100% Input	Low	Medium Low	Medium High	High Default
GUH97M090C4M	3/4 HP	11 x 11	50 - 80 Max. Input	+15%	828	1213	1597	2nd Stage	+10%	1162	1360	1533	1742
				+7.5%	766	1132	1499		Default	1064	1240	1400	1594
				Default	703	1052	1401		-10%	928	1133	1298	1441
			35 - 65 Min. Input	-7.5%	650	986	1323	1st Stage	+10%	844	955	1124	1280
				-15%	596	921	1245		Default	775	910	1011	1173
				Default	695	816	932		1045	-10%	695	816	932
GUH97M090C5M	1 HP	11 x 11	60 - 90 Max. Input	+15%	686	1138	1589	2nd Stage	+10%	1329	1560	1740	1982
				+7.5%	626	1060	1494		Default	1177	1414	1586	1807
				Default	566	983	1399		-10%	1044	1261	1432	1619
			35 - 65 Min. Input	-7.5%	502	895	1288	1st Stage	+10%	913	1037	1230	1415
				-15%	437	806	1176		Default	827	953	1088	1278
				Default	741	855	995		1117	-10%	741	855	995
GUH97M110C5M	1 HP	11 x 11	50 - 80 Max. Input	+15%	893	1419	1945	2nd Stage	+10%	1268	1487	1726	1913
				+7.5%	814	1329	1843		Default	1158	1369	1568	1764
				Default	736	1238	1741		-10%	1030	1224	1393	1575
			35 - 65 Min. Input	-7.5%	680	1139	1599	1st Stage	+10%	918	1022	1205	1371
				-15%	623	1040	1457		Default	839	955	1084	1235
				Default	760	865	984		1109	+10%	1303	1536	1687
GUH97M135D5M	1 HP	11 x 11	50 - 80 Max. Input	+15%	992	1487	1983	2nd Stage	Default	1164	1380	1584	1762
				+7.5%	907	1382	1858		-10%	1065	1252	1404	1604
				Default	822	1277	1732		+10%	918	1061	1214	1382
			35 - 65 Min. Input	-7.5%	761	1188	1615	1st Stage	Default	829	960	1091	1265
				-15%	700	1099	1497		-10%	739	858	991	1116
				Default	700	1099	1497						

DIMENSIONS (IN.)

Model	A	B	C	D
GUH97M070B3M	17-1/2	16-3/8	16	7-5/8
GUH97M090C3M	21	19-7/8	19-1/2	9-3/8
GUH97M090C4M	21	19-7/8	19-1/2	9-3/8
GUH97M090C5M	21	19-7/8	19-1/2	9-3/8
GUH97M110C5M	21	19-7/8	19-1/2	9-3/8
GUH97M135D5M	24-1/2	23-3/8	23	11-1/8



Upflow / Horizontal



ACCESSORY LIST

CATALOG NUMBER	DESCRIPTION
External Filter Rack Kits	
AEFR1	1 pack (16 x 25)
AEFR10	10 pack (16 x 25)
Natural to LP Kits	
68W77	Modulating 97% (includes gas valve)
Return Air Base	
68W62	17.5" B Width
68W63	21.0" C Width
68W64	24.5" D Width
Night Service Kits	
89W52	Modulating
Horizontal Suspension Kit	
51W10	80% & 90% Kit
Flush Mount Termination (90% Furnaces only) US Only	
51W11	2" & 3" Vent Version
Concentric Vent Kit (90% Furnaces only) US Only	
71M80	1-1/2" Vent Version
69M29	2" Vent Version
60L46	3" Vent Version

For vent length and clearances to combustibles, please reference installation instructions.

"This product complies with all California product labeling laws including, but not limited to, the Safe Drinking Water and Toxic Enforcement Act of 1986, more commonly known as Proposition 65."

Due to ongoing product improvements, specifications and dimensions are subject to change and correction without notice or incurring obligations. Determining the application and suitability for use of any product is the responsibility of the installer. Additionally, the installer is responsible for verifying dimensional data on the actual product prior to beginning any installation preparations. Third party incentive and rebate programs have precise requirements as to product performance and certification. All products meet applicable regulations in effect on date of manufacture; however, certifications are not necessarily granted for the life of a product. Therefore, it is the responsibility of the applicant to determine whether a specific model qualifies for these incentive/rebate programs.