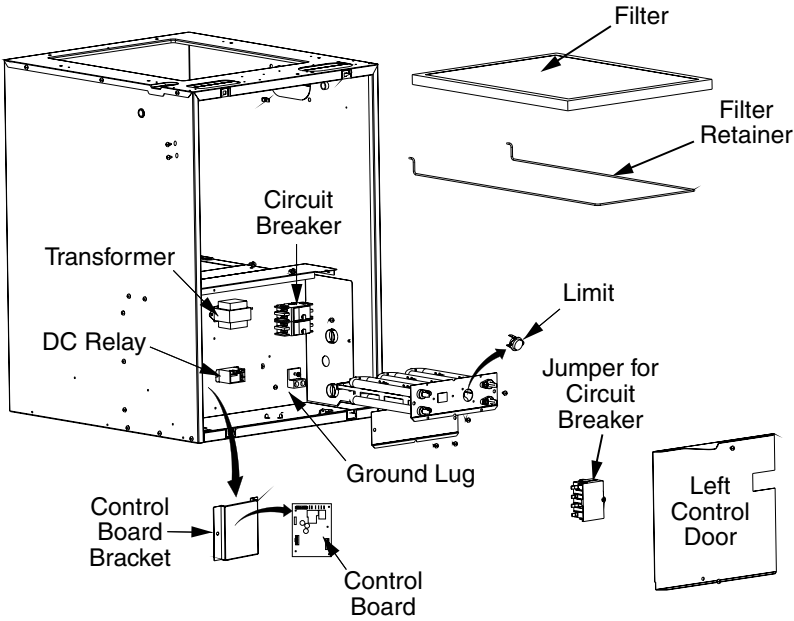
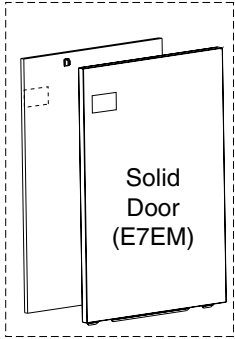
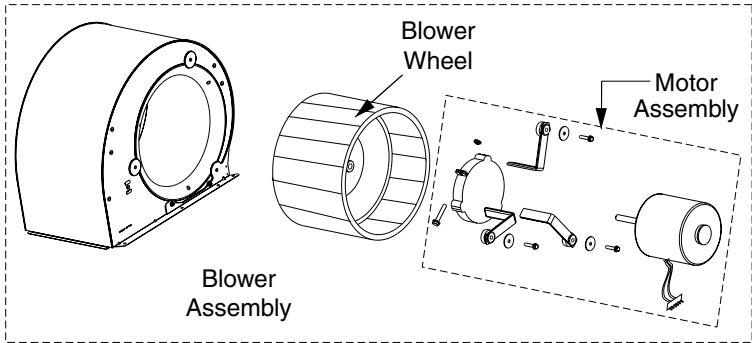


# REPLACEMENT PARTS LIST

## E7 SERIES ELECTRIC FURNACE MODELS -010, -012, -015, -017, -020, -023



## E7 ELECTRIC FURNACE REPLACEMENTS PARTS LIST

DESCRIPTION	MODEL KW					
	-010	-012	-015	-017	-020	-023
Blower Motor (1/2 hp, PWM)	622686R	622686R	622686R	622686R	622686R	622686R
Blower Wheel (10 x 8)	667037R	667037R	667037R	667037R	667037R	667037R
Circuit Breaker (60A, 2 Pole)	632249R	632249R	632249R	632249R	632249R	632249R
Control Board	1006801R	1006801R	1006801R	1006801R	1006801R	1006801R
Control Board Bracket	280671R	280671R	280671R	280671R	280671R	280671R
Control Door (left - 10kW)	D00721R	-	-	-	-	-
Control Door (left - 12-23kW)	-	D00722R	D00722R	D00722R	D00722R	D00722R
Control Door (right)	D00740R	D00740R	D00740R	D00740R	D00740R	D00740R
DC Relay	1025375R	1025375R	1025375R	1025375R	1025375R	1025375R
Door (Louvered - E7ED Models)	101480702R	101480702R	101480702R	101480702R	101480702R	101480702R
Door (Solid - E7EM Models)	917260	917260	917260	917260	917260	917260
Door (Solid - E7EU Models)	101480701R	101480701R	101480701R	101480701R	101480701R	101480701R
Element Assembly (5.0kW @ 240V)	-	-	902818*	-	-	-
Element Assembly (5.4kW @ 240V)	-	-	-	902820*	-	-
Element Assembly (10.0 kW @ 240V)	902821#	-	902821#	-	902821†	902821†
Element Assembly (10.8kW @ 240V)	-	-	-	902823#	-	-
Element Assembly (11.6kW @ 240V)	-	902824#	-	-	-	902824#
Filter (20" X 18")	668860R	668860R	668860R	668860R	668860R	668860R
Filter (Front, 18" x 30")	1007623R	1007623R	1007623R	1007623R	1007623R	1007623R
Fuse (3 Amp - Not Shown)	632261R	632261R	632261R	632261R	632261R	632261R
Ground Lug	632235R	632235R	632235R	632235R	632235R	632235R
Hole Plug (1/2")	632307R	632307R	632307R	632307R	632307R	632307R
Hole Plug (3/4")	632308R	632308R	632308R	632308R	632308R	632308R
Limit (1 pole)	-	-	626459R	626459R	-	-
Limit (2 pole)	626458R	626458R	626458R	626458R	626458R	626458R
Single Circuit Adaptor Kit (Standard on -012 model) (Optional on -015-023 models)"	-	913874	-	-	-	-
Transformer (40 VA)	622762R	622762R	622762R	622762R	622762R	622762R

Please specify the correct Model No., Serial No. and part number(s) when ordering parts from the nearest authorized dealer or service center.

\* = Bottom element in downflow position unit in the picture.

# = Top element in downflow position unit in the picture.

† = Uses quantity of two.

