

---

*Comfort-Aire*®

**Century**®

**MARS**®  
Delivering Confidence

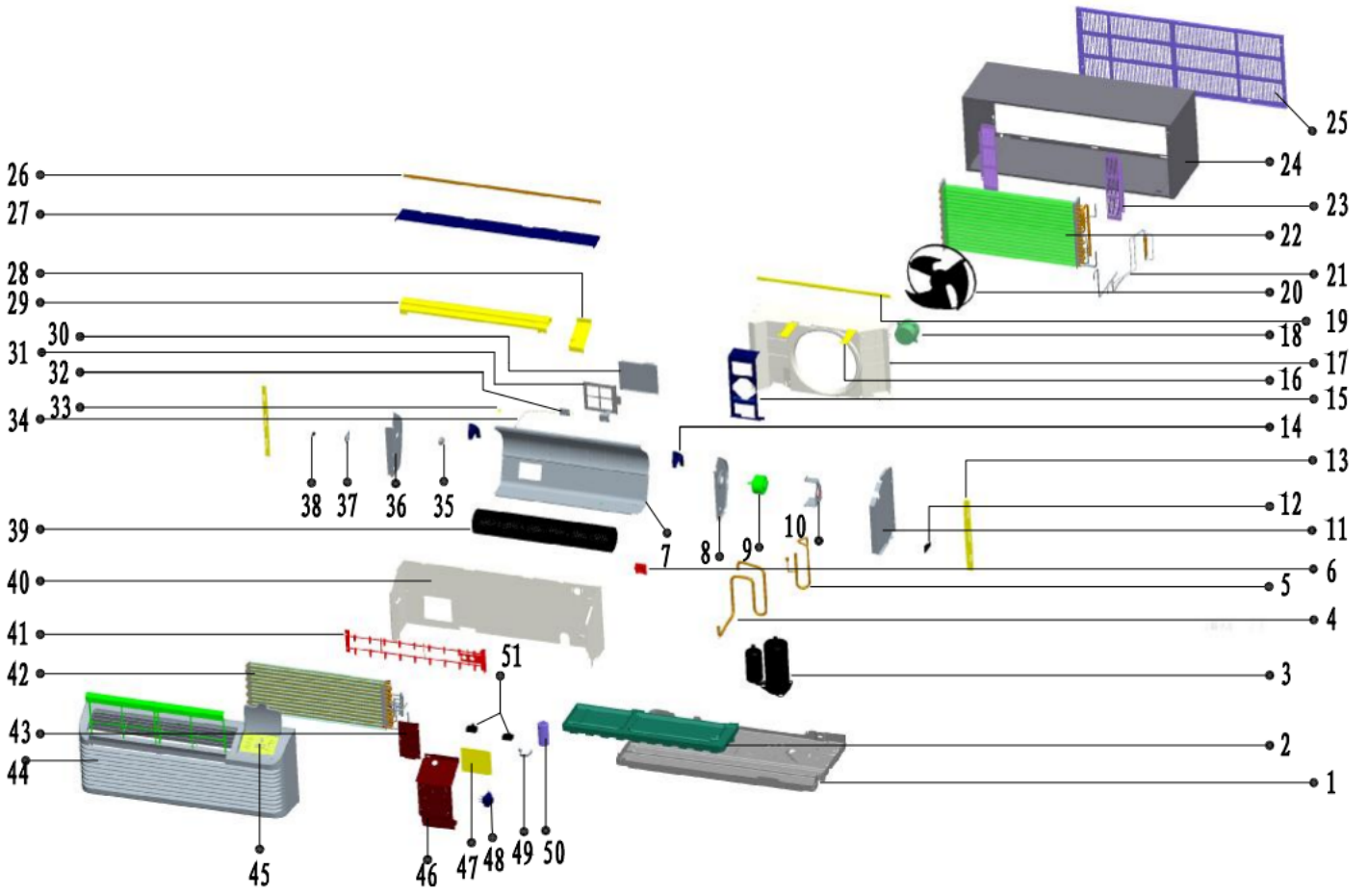
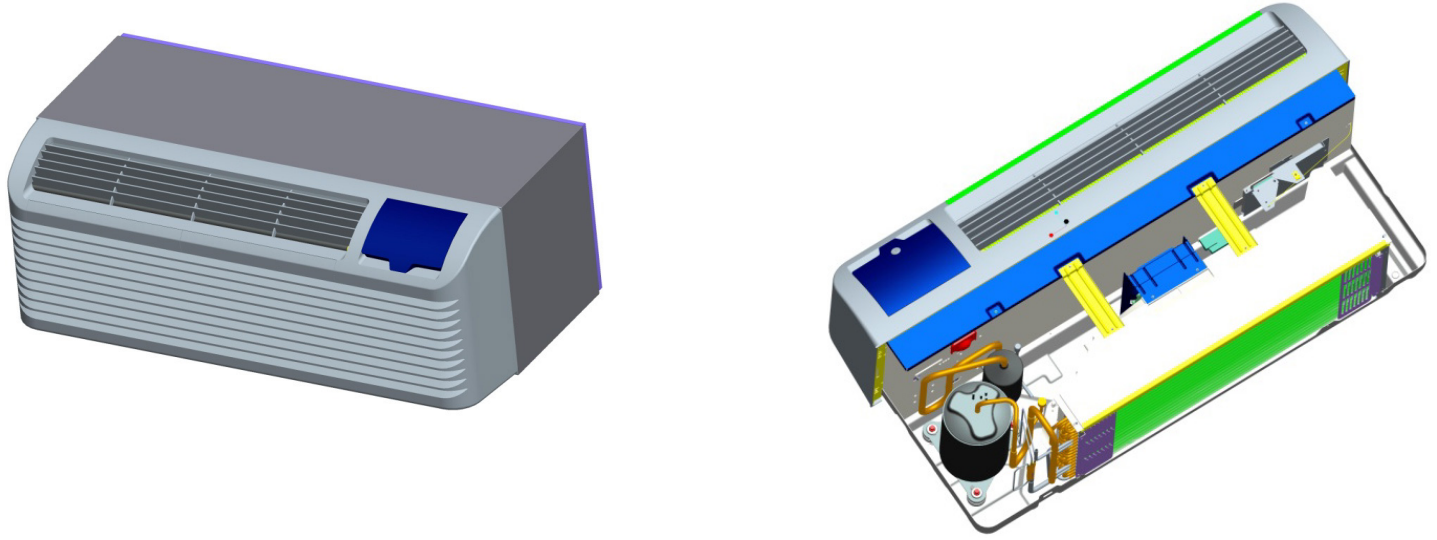
---

REPLACEMENT PARTS LIST

# **Packaged Terminal Air Conditioner**

PTAC09F130A

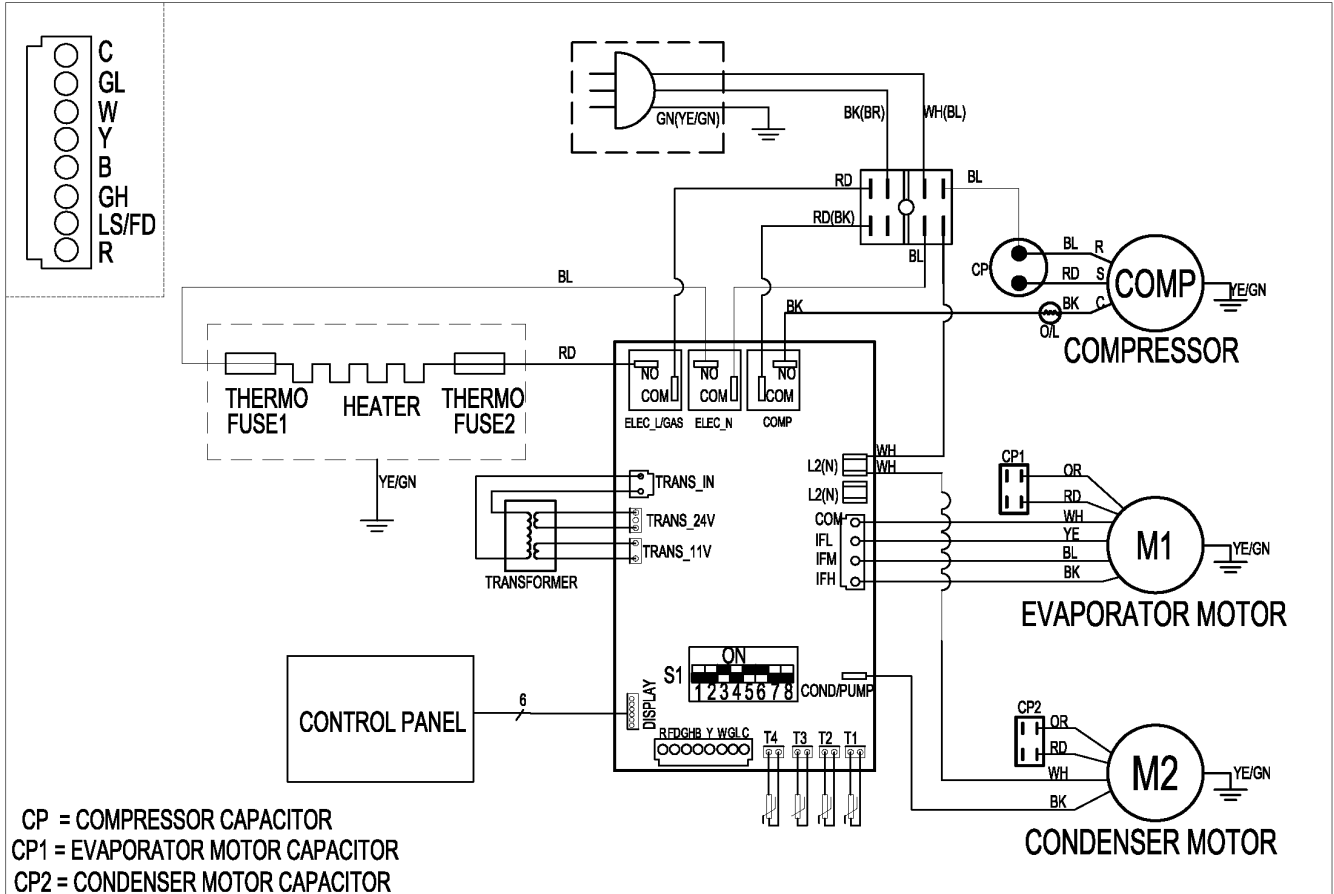
# Exploded View



# Wiring Diagram

## CIRCUIT DIAGRAM

802020590465 V.4



SELECTOR SWITCH (ON:  OFF:  )

WIRE COLOR CODE

S1.1	Anti-cold air	<input checked="" type="checkbox"/> Enable <input type="checkbox"/> Disable	S1.5	Room Freeze Protection	<input checked="" type="checkbox"/> Enable <input type="checkbox"/> Disable	BL BLUE	WH WHITE
S1.2	Heat Pump	<input checked="" type="checkbox"/> Enable <input type="checkbox"/> Disable	S1.6	Electric Memory	<input checked="" type="checkbox"/> Enable <input type="checkbox"/> Disable	BR BROWN	RD RED
S1.3	Electric Heat	<input checked="" type="checkbox"/> Enable <input type="checkbox"/> Disable	S1.7	Fan CYC. For Cooling	<input checked="" type="checkbox"/> Enable <input type="checkbox"/> Disable	GN GREEN	BK BLACK
S1.4	Heat Pump Prior	<input checked="" type="checkbox"/> Only panel	S1.8	Set temp. step for two degree	<input type="checkbox"/> Enable <input checked="" type="checkbox"/> Disable	OR ORANGE	YE YELLOW
	Electric Heat Prior	<input checked="" type="checkbox"/> Enable		Set temp. step for one degree			
						<b>CIRCUIT DIAGRAM</b>	
				DATE	DWG.NO.	NO.	
				2020-06-08	CPS-09ENR1-F+7.PM-4A	4	

## Replacement Parts List

Location	Description	Qty.	Qty.
1	Tray assy	1	801220390279
2	Foam tray	1	802220890006
3	Compressor	1	801401600018
4	Air-return pipe assy	1	801620590770
5	Discharge pipe assy	1	801620590487
6	Line press plate	1	801120890051
7	Air duct	1	801220590678
8	Right side board assy of air duct	1	801220590681
9	Indoor single-axle motor	1	802400300024
10	Indoor motor support	1	801220890158
11	E-box left side board assy	1	801220890395
12	Groove clamp	1	801120890050
13	Left / right fixing clamp components	1	801220890167/801220890170
14	Left / right parts of air duct	1	801120890013/801120890014
15	Outdoor motor support	1	801220890144
16	Connecting plate of outdoor air guide ring	2	801220890166
17	Wind inlet guide	1	801120890019
18	Indoor single-axle motor	1	802400400771
19	Wind inlet guide plate	1	801220890190
20	Axial-flow fan blade	1	801120890009
21	Capillary assy	1	801620590771
22	Condenser assy	1	801520590172
23	Grill	2	801220890146
24	Wall sleeve	1	801220890441
25	Back grid assy	1	801220690038
25.1	Back grid installation clamp	5	801120690007
25.2	Back grid	1	801220690019
26	Panel board support	1	801220890165
27	Top cover	1	801220890179
28	Seal board 2	1	801220590692
29	Air outlet	1	801220590690
30	Fresh air inlet cover	1	801220890225
31	Fresh air inlet filter	1	801120890010
32	Fresh air inlet support	2	801220890151
33	Fresh air inlet groove clamp	1	801120890017
34	Fresh air inlet spring and tube	1	802920890004/801120890028
35	"Bearing block / Fixed plate of bearing seat"	1	802720890002/801220890156
36	Left side board assy of air duct	1	801220590679
37	Fresh air inlet rail	1	801120890012
38	Fresh air inlet lever	1	801120890011
39	Cross-flow blower	1	802920890005
40	Septum plate assy	1	801220890506
41	Electric heater	1	802402000250
42	Evaporator assy	1	801520390057
43	Seal board 1	1	801220890175
44	Panel components	1	801120890020

## Replacement Parts List (continued)

Location	Description	Part No.	Qty.
44.1	Front panel	1	801120890021
44.2	Fixing panel clamp	2	801220890192
44.3	Filter net	2	801120890022
44.4	Filter net rail	1	801120890023
44.5	Air outlet grill	1	801120890024
44.6	Panel cover	1	801120890025
45	Control board assy	1	803320590193
45.1	Electrical box	1	801120890026
45.2	control mask	1	802020590467
45.3	Control board	1	803300400018
46	Electrical box flip	1	801220590684
47	PCB	1	803300301100
48	Transformer	1	802300200089
49	Capacitor clamp	1	801200100002
50	Compressor capacitor	1	802401000039
51	"Indoor motor capacitor/Outdoor motor capacitor"	1	802419900166/802401100066
52	Air outlet protection grid	1	802920590006
53	Indoor temp. sensor	1	802300400088
54	Outdoor temp. sensor	1	802300400077
55	Air return temp. sensor	1	802300400129
56	LCDI power cord	1	802420690015
57	Compressor connecting wire	1	802420390053
58	Refrigerant	0.55KG	800500100004

---

Due to ongoing product improvements, specifications and dimensions are subject to change and correction without notice or incurring obligations. Determining the application and suitability for use of any product is the responsibility of the installer. Additionally, the installer is responsible for verifying dimensional data on the actual product prior to beginning any installation preparations.

Incentive and rebate programs have precise requirements as to product performance and certification. All products meet applicable regulations in effect on date of manufacture; however, certifications are not necessarily granted for the life of a product. Therefore, it is the responsibility of the applicant to determine whether a specific model qualifies for these incentive/rebate programs.

*Comfort-Cire*®  **Century**®

1900 Wellworth Ave., Jackson, MI 49203 • Ph. 517-787-2100 • [www.marsdelivers.com](http://www.marsdelivers.com)

