

Project Name:		Approval:	
Location:		Date:	
Engineer:		Construction:	
Submitted to:		Unit #:	
Submitted by:		Drawing #:	
Reference:			

Indoor unit model	B-SVH12SB-1
Outdoor unit model	A-SVH12SB-1



PERFORMANCE DATA

Power supply	Ph-V-Hz	208-230V~60Hz , 1Ph
Cooling		
Capacity	Btu/h	12000
Input	W	1365
Rated current	A	5.92
EER	Btu/w	8.8
SEER	Btu/w	16.8
Heating at 47		
Capacity	Btu/h	12000
Input	W	1212
Rated current	A	5.27
COP	W/W	2.90
HSPF4		9.4
HSPF5		8
Electrical		
MINIMUM CIRCUIT AMPACITY	A	12
MAX. FUSE	A	15
Connection wiring		16*4 AWG
Compressor		
Model		KSK103D33UEZ3(YJ)
Type		ROTARY
Brand		GMCC
Capacity	Btu/h	10611
Input	W	790
Rated current(RLA)	A	6.47
Locked rotor Amp(LRA)	A	----
Thermal protector		----
Thermal protector position		----
Refrigerant oil/oil charge	ml	ESTER OIL VG74 310ml
SYSTEM DATA		
Design pressure	PSIG	550/340 PSIG
Refrigerant type	oz	R410A/25.75oz
Refrigerant precharge	ft	25
Additional charge per ft.	oz	0.161
Liquid side/ Gas side	mm(in)	Φ6.35/Φ9.52(1/4"/3/8")
Max. refrigerant pipe length	ft	82
Max. difference in level	ft.	33

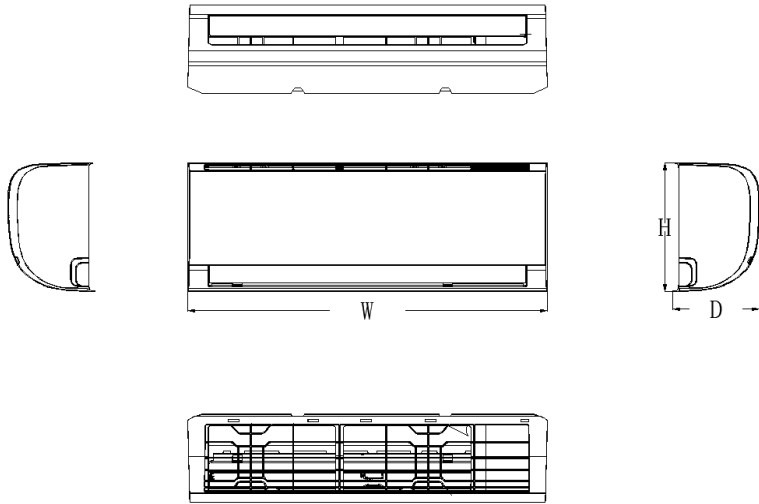
INDOOR UNIT DATA

Indoor fan motor		
Model		B-SVH12SB-1
Brand		Welling
Input		47.4
RLA	A	0.34
LRA	A	0.235
Winding Resistance	Ω	269/224
Capacitor	uF	1.5
Speed(Hi/Mi/Lo)	r/min	1180/950/750
Air flow & Noise level		
Indoor air flow (Hi/Lo)	CFM	317.65/241.18/176.47
Indoor noise level (Hi/Lo)	dB(A)	41.5/34.5/25.5
Indoor unit		
Dimension(W*D*H)	inch	31.69x7.64x11.22
Packing (W*D*H)	inch	34.25x10.63x14.37
Net/Gross weight	lbs.	17.20/22.05

OUTDOOR UNIT DATA

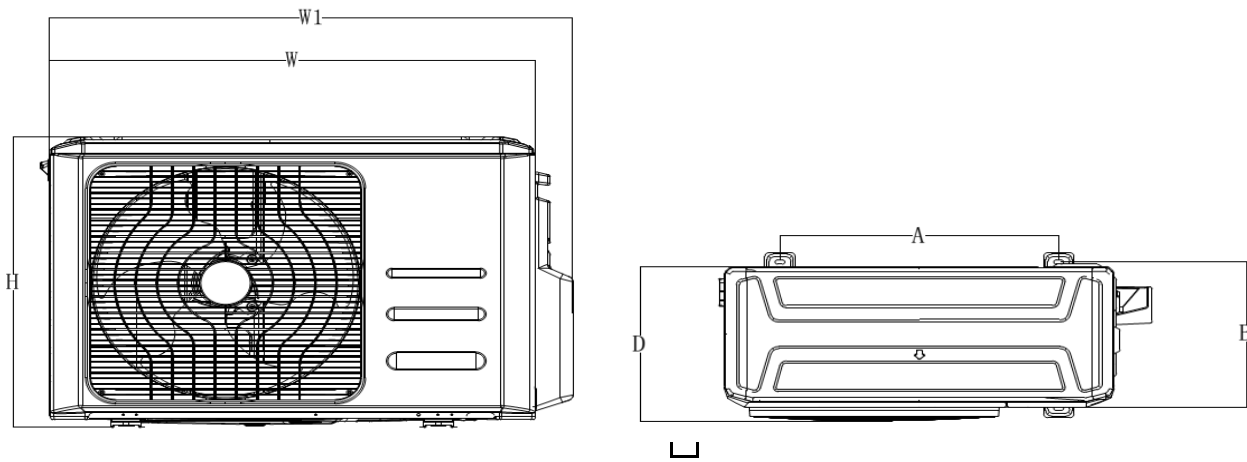
Outdoor fan motor		
Model		A-SVH12SB-1
Brand		Welling
Input		55.5
RLA	A	0.47
LRA	A	-
Winding Resistance	Ω	-
Capacitor	uF	-
Speed	r/min	800/700/600
Air flow & Noise level		
Outdoor air flow	CFM	1058.82
Outdoor noise level	dB(A)	54.5
Outdoor unit		
Dimension(W*D*H)	inch	28.35x10.63x19.49
Packing (W*D*H)	inch	32.87x11.81x21.26
Net/Gross weight	lbs.	54.67/58.42
Operation temperature		
Indoor(cooling/ heating)	Deg. F	17~32/0~30
Outdoor(cooling/heating)	Deg. F	5~122/5~86
Application area	sq.ft	172-252

INDOOR UNIT



Model	W (inch)	D (inch)	inch				
B-SVH12SB-1	31.69	7.64	1.22				

OUTDOOR UNIT



Model	W (inch)	D (inch)	inch				W1 (inch)	A (inch)	B (inch)
A-SVH12SB-1	30.31	11.81	1.85				31.10	17.80	10.08